

**Canon**

# KT20x5B KRS

**HDGC**



Canon's Philosophy :

Canon has always developed new technology with four basic philosophies, "High Quality of Picture", "Ease of Operation", "High Specification" and "Minimize Environmental Impact". Canon's HDTV lenses are, so to speak, a compilation of our basic philosophies.

Now, Canon adds a new concept to the HDTV lenses by launching the new HDgc Series.



# KT20x5B KRS

HDGC

Canon's Philosophy:

Canon has always developed new technology with four basic philosophies, "High Quality of Picture", "Ease of Operation", "High Specification" and "Minimize Environmental Impact". Canon's HDTV lenses are, so to speak, a compilation of our basic philosophies. Now, Canon adds a new concept to the HDTV lenses by launching the new HDgc Series.

## Canon's New HDgc Series

HDGC

### Concept of HDgc Series

Corresponding to the popularity of digital High Definition broadcasting and diversity of HDTV equipment, Canon has added a new series to its HDTV lens line up, the HDgc series. The new HDgc series supports the emergence of an important new generation of cost-effective HD acquisition systems. Adopting the advantages created by Canon's unique technology, the new HDgc lenses exhibit high MTF, high resolution and high contrast from the center of the image to its extreme edges, meanwhile maintaining its compact size and weight.

Another important policy of Canon's is not to pollute the earth and the HDgc series succeeded in excluding harmful substances such as cadmium, PBBS, PBDPE or mercury from the mechanical parts, and at the same time incorporating lead free glass and reducing the amount of hazardous substances used in electrical parts.

Meet Canon's new HDgc series lenses, a compilation of Canon's advanced technologies.



### Other Features of KT20x5B KRS

#### Shuttle Shot Function

Shuttle Shot is a Canon Exclusive Technology that enhances production capabilities. At the touch of a button, this feature allows the operator to zoom back and forth instantly between any two positions. It can be used to zoom to the telephoto position to check focus and then return instantly to the original position or you can "shuttle" between any two zoom positions at any time.

**SHUTTLE SHOT**



#### Compact Design

The KT20x is smaller in size and lighter in weight compared to the traditional BCTV lenses, which allows ease of use when carried on a shoulder.

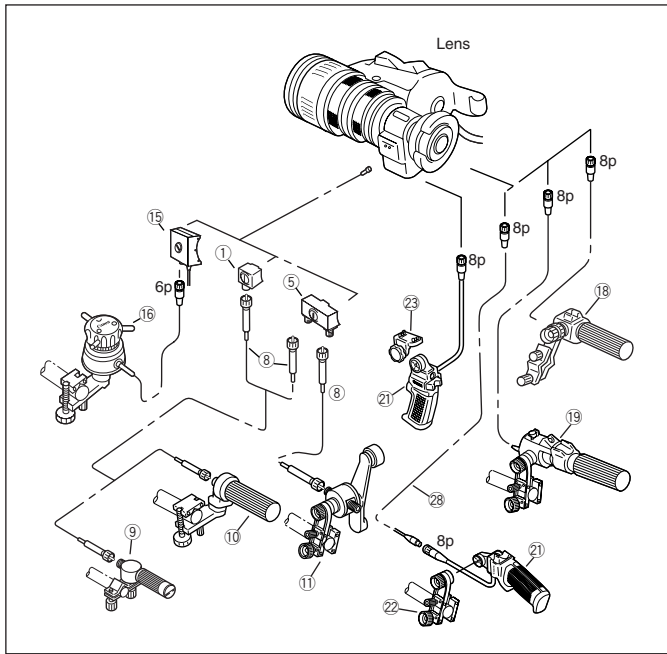
#### Advanced Drive Unit

The new ergonomically designed drive unit achieves an ideal balance and comfort by having it tilt to an ideal angle. In addition, the size of the unit has been minimized to comfortably fit in the palm of one's hand. Overall, it improves the feeling of unity between the user and the lens. Moreover, the drive unit is equipped with a Shuttle Shot Function while offering a maximum zoom speed of 1.2sec from wide end to tele end.



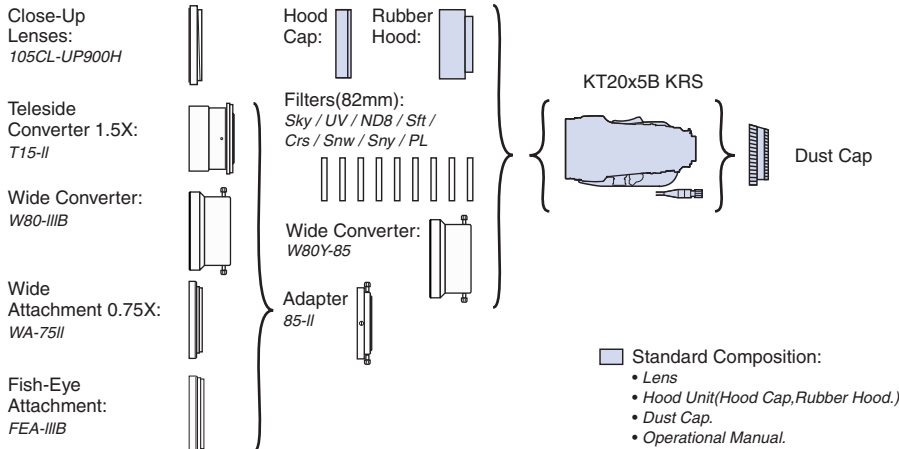


## LENS CONTROLLERS



#	Unit	Description	CODE
①	FM-12	Flex Focus Module	1824A012
⑤	FM-70	Flex Dual Module	0002T071
⑧	FC-40	Flex Cable	1824A010
⑨	FFC-15	Flex Focus Controller	1824A024
⑩	FFC-200	Flex Zoom Controller	1824A014
⑪	FZC-100	Flex Zoom Controller	1824A021
⑮	FPM-77	Focus Positional Servo Module	1824A020
⑯	FPD-400	Focus Positional Demand	1824A018
⑱	ZSD-15M II	Zoom Demand	1824A071
⑲	ZSD-300M	Zoom Demand	1824A067
㉑	ZSG-200M	Zoom Servo Grip	1824A069
㉒	CR-10	Clamper	1824A007
㉓	GA-70	Grip Adapter	0018T531
㉔	EC-80	Zoom Extension Cable (8P)	1824A009

## OPTICAL ACCESSORIES



MODEL	CODE
82CL-UP800H	1823A041
82CL-UP1300H	1823A042
Teleside Con T15-II	1823A005
Teleside Con T15HD*	1823A098
Wide Con W80-IIIB	1823A006
Wide Con W80HD*	1823A094
Wide Attach WA-75II	1823A008
Wide Attach WA75HD*	1823A095
Fish-Eye FEA-IIIB	1824A011
Adaptor85II	1824A002
UV / 82mm	1823A030
Sky / 82mm	1823A031
Crs / 82mm	1823A032
Sny / 82mm	1823A033
Snw / 82mm	1823A034
ND4 / 82mm	1823A035
ND8 / 82mm	1823A036
Sft / 82mm	1823A037
PL / 82mm	1823A038
W80Y-85	1823A009

\* The HD quality accessories offer higher optical performance.

### North & South America

**Canon U.S.A., Inc.**  
Broadcast and Communications Div. (Headquarters)  
65 Challenger Road, Ridgefield Park, NJ 07660  
Tel:(201)807-3300 / (800)321-4388  
Fax:(201)807-3333  
Email:bctv@cusa.canon.com  
http://www.canonbroadcast.com/

### Chicago

100 Park Blvd. Itasca, IL 60143  
Tel:(630)250-6236 Fax:(630)250-0399

### Atlanta

5625 Oakbrook Pkwy. Norcross, GA 30093  
Tel:(770)849-7890 Fax:(770)849-7888

### Los Angeles

15955 Alton Parkway Irvine, CA 92618  
Tel:(949)753-4330 Fax:(949)753-4337

### Dallas

3200 Regent Blvd. Irving, TX 75063  
Tel:(972)409-8871 Fax:(972)409-8869

### Latin America

Tel:(954)349-6975 Fax:(201)807-3333

### Canada

**Canon Canada, Inc.**  
Broadcast and Communications Div.  
6390 Dixie Road  
Mississauga, Ontario, L5T 1P7, Canada  
Tel:(905)795-2012 Fax:(905)795-2140

### Europe/Africa/Middle East

**Canon Europa N.V.**  
Broadcast and Communications Div.  
Bovenkerkenweg 59-61  
1185 XB Amstelveen  
Tel:+31(0)20-5458905 Fax:+31(0)20-5458203  
Email:tvprod@canon-europe.com  
http://www.canon-europe.com/tv-products

### Australia

**Canon Australia Pty. Ltd.**  
Optical Products Division  
1 Thomas Holt Drive, North Ryde, NSW 2113, Australia  
Tel:+61(0)2-9805-2000 Fax:+61(0)2-9805-2444

### China

**Canon (China) Co., Ltd.**  
Optical Products Division  
15F Jinbao Building No.89 Jinbao Street  
Dongcheng District, Beijing 100005, China  
Tel:86-10-85139999 Fax:86-10-85139902  
http://www.canon.com.cn

### Asia/Japan

**Canon Inc. (Broadcast Equipment Group)**  
23-10, Kiyohara-Kogyo-Danchi, Utsunomiya-shi,  
Tochigi-ken, 321-3298, Japan  
Tel:+81(0)28-667-8669 Fax:+81(0)28-667-8672  
http://www.canon.com/bctv/

http://www.canon.com/bctv

Specifications subject to change without notice